

BEING 'READY TO LEARN'



DREAM

BELIEVE

ACHIEVE

THE CORSHAM

SCHOOL VISION

The Corsham School will:

- 1.** Promote the highest standards of teaching and learning and see them reflected in academic achievement.
- 2.** Use the evaluation and sharing of good practice to impact on teaching and learning.
- 3.** Commit to a balanced, enriched curriculum.
- 4.** Invest in, use and apply the best technologies.
- 5.** Provide a safe and calm environment in which all young people can learn, grow and develop values which strengthen a positive community.
- 6.** Encourage our students to be considerate, courteous and to show pride in their school.
- 7.** Stimulate the involvement and commitment of all parents and carers.
- 8.** Commit to the support and Continuing Professional Development of every member of staff.
- 9.** Provide high-quality facilities within a clean and well-managed environment.

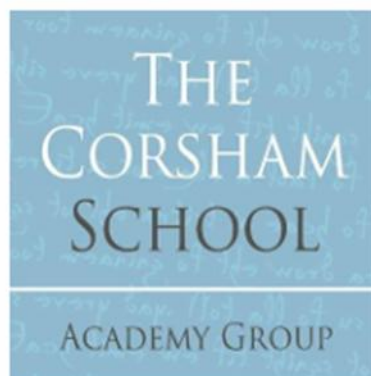
**READY
TO
LEARN**



By completing homework and coursework on time

By having the correct equipment or kit

By being in the right place at the right time



RESPECT EVERYONE

By treating everyone fairly and respectfully
By allowing others to learn



**RISE TO THE
CHALLENGE**

By being the best version of yourself

By being fully involved

By striving for excellence

CORSHAM CHARACTER

INTELLECTUAL VALUES

- Be reflective
- Be curious
- Be open-minded
- Be creative



MORAL VALUES

- Be compassionate
- Be honest
- Be tolerant
- Be respectful



CIVIC VALUES

- Be responsible
- Be charitable
- Be a good citizen



PERFORMANCE VALUES

- Be resilient
- Be co-operative
- Be ambitious
- Be punctual
- Be the best version of you



DREAM

BELIEVE

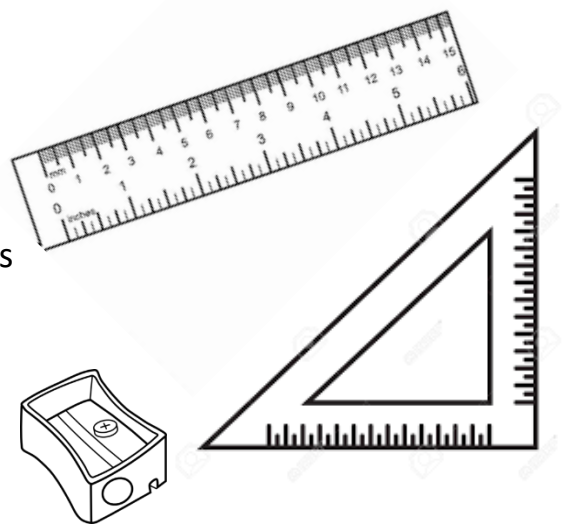
ACHIEVE

EQUIPMENT LIST FOR LESSONS

To be prepared for learning, students need:

A named Pencil case containing the following:

- Black or blue ball point pens
- A green ball point pen. (Teachers ask students to use green pen to edit and improve work in class.)
- Whiteboard Pen
- Pencil
- Rubber
- Pencil sharpener
- Ruler- preferably 30cm length
- Glue stick
- Casio Scientific Calculator (model numbers fx-83GT CW or fx-85GT CW)
- Highlighter pens
- Coloured pencils
- Pair of compasses
- Protractor



The following additional items are also very useful to bring:

- Coloured biros or one multi-coloured click biro.
- Safety scissors

As well as a pencil case, Year 7 students are expected to have a reading book in their school bag and bring their Corsham School Student Handbook (which they are given on the first day of term) with them each day. The student handbook is used in lessons to check for understanding and monitor progress throughout the year. Students are allowed to take a water bottle into lessons to drink from.



DRESS CODE AND EQUIPMENT

The Corsham School requires all students in Years 7-11 to wear uniform.

Our uniform promotes a distinctive and smart appearance both inside and outside school, identifying the wearer as a student of The Corsham School. Our uniform requirements are intended to be clear and unambiguous.

Our policy on School uniform is based on the notion that School uniform:

- promotes a sense of pride in the School
- teaches students to dress smartly and help them prepare for when they leave school and may have to dress smartly or wear a uniform
- engenders a sense of community and belonging towards the School
- is practical and smart
- identifies the children with the School
- is gender neutral and doesn't pressure students to confine to outdated gendered norms
- prevents children from coming to School in fashion clothes and helps make children feel more equal to their peers in terms of appearance
- is regarded as suitable wear for School and good value for money by most parents.

Overview

- Corsham School grey V-necked jumper.
- White shirt and Corsham School House tie.
- Black socks with trousers or shorts or black opaque tights with skirt.
- Black leather/faux leather shoes which are able to be polished.

No other items of clothing apart from those listed above are permitted. Underwear should not be visible.

Students should be smart, clean and well presented at all times. Shirts may be long or short sleeved but should have a collar and should always be worn with a tie. Your shirt should be tucked into your trousers, skirt or shorts. Your jumper should not be tucked into either trousers or skirt. All items of clothing should be named.



Shoes

These should be of a conventional smart style, appropriate for uniform wear and offer adequate protection in all weathers. They should be entirely black, made of leather/faux leather and be able to be polished. **Trainers, canvas shoes and boots are not permitted.**

Socks should be black in colour/tights should be black opaque.

Skirts

These should be purchased from our approved supplier (Scholars of Chippenham). Please ensure that the size purchased allows the skirt to be worn at an appropriate length. As a guide the hem should be no more than one hands width above the knee. **The skirt should not be worn rolled over at the waist.**

Trousers & Shorts

These can be purchased from our approved supplier (Scholars of Chippenham).

Coats and outer clothing

Hooded sweatshirts, either as a substitute for the jumper, or as a 'coat', are not allowed. You may wear a waterproof coat over your uniform if you wish but your coat should be clearly a proper coat, of conventional style and suitable for wearing to school.

Hats

In cold weather, an appropriate woollen hat is permitted and in extreme summer conditions, a cap may be worn. Hats must not be worn inside the buildings at any point.

School Bags

School bags should be a conventional 'back-pack' style with two straps - any type of fashion bag or hand bag is not allowed.

Jewellery, extreme hairstyles and make-up

The school does not permit extreme hairstyles (this includes unnatural colours, tramlines, crewcuts etc.) along with coloured nails and excessive makeup. **Nose studs and other facial piercings are not permitted.** Students are allowed one stud in each ear. No other jewellery should be visible in school.

School Ties

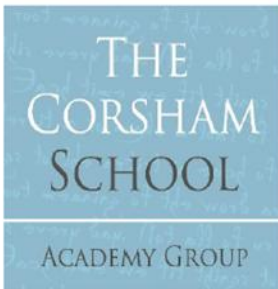
Students wear school ties that represent their House. All Year 7 students are allocated to a House (Burlington, Freestone, Stockwell & Hazelbury). Students will be told their House in June 2026, after which, the new House ties are available to purchase **from Scholars Schoolwear Limited.** The ties sold are all clip-on ties.

3 The Causeway, Chippenham SN15 3BT Tel: (01249) 656600

<http://scholars-uk.com>



DRESS CODE AND EQUIPMENT

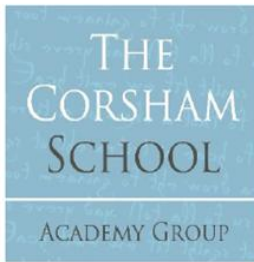


Acceptable Footwear Guidance

Please see below examples of shoe styles that are acceptable to wear to school. These should be of a conventional smart style, appropriate for uniform wear and offer adequate protection in all weathers. They should be entirely black, made of leather/faux leather and be able to be polished. Trainers or canvas shoes are not permitted



DRESS CODE AND EQUIPMENT

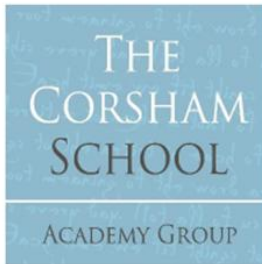


Unacceptable Footwear

Please see below examples of shoe styles that are unacceptable to wear to school.
These styles are often not plain black and are usually canvas or trainer style.
These styles are not suitable to wear as part of school uniform.



DRESS CODE AND EQUIPMENT



Outdoor Coats & School Bag Guidance

Coats – An outdoor coat may be worn over the top of the school uniform if needed, but this must be a conventional coat or waterproof suitable for school. Hoodies of any style are not permitted.

School Bags – A school bag should be suitable for school use, able to contain all necessary books/folders and any other school equipment. A backpack is ideal for this purpose. Fashion bags and smaller handbags of any kind are not permitted.



DRESS CODE AND EQUIPMENT

PHYSICAL EDUCATION LEARNING KIT

Kit List

Main Items (compulsory)	Important Notes
Red PE Polo shirt	This is a Corsham School branded item available from Scholars and in our online second-hand uniform shop. This will be used for all activities.
Navy blue PE shorts OR navy blue skort	These are Corsham School branded items available from Scholars and in our online second-hand uniform shop.
Plain long red football/rugby socks	These socks will be worn for all boys' and girls' outdoor activities in Terms 1, 2, 3 & 4.
Trainers	Compulsory for Astro-turf activities including break and lunchtime provision.
Football boots	These are compulsory for contact rugby lessons/extra-curricular rugby and for football lessons on grass/extra-curricular football. These can be any studded boot – moulded plastic OR metal studs. Not allowed for football on the Astro-turf. Football boots are not required for girls' football or rugby as this takes place on the Astro-turf (unless the students takes part in extra-curricular football or rugby which is on grass.)
Shin pads	Strongly recommended for football and hockey.
Gumshield	Strongly recommended for rugby and hockey.
Swimming Kit: One piece swimming costume (any colour) OR swimming trunks (above knee, any colour) and towel.	Goggles are optional.
Optional Kit	
Red, black or navy-blue coloured thermals	Must be worn under PE kit. Strongly recommended for cold weather. Gloves and sensible hat may also be worn if very cold.
Navy blue or black coloured plain tracksuit bottoms.	Grey track suit bottoms not allowed.
Long-sleeved, navy blue jersey	This is a Corsham School branded item available from Scholars and in our online second-hand uniform shop. This is an optional item for contact rugby and extra-curricular rugby. This item is optional for all boys' activities. This item is optional for all girls' activities.
Red hoodie	This is a Corsham School branded item available from Scholars and in our online second-hand uniform shop.

	Cannot be worn for contact rugby. The hoodie is an optional item.
White sports socks	These can be worn for any indoor activity as an alternative to red long socks. They can also be worn for all outdoor activities in Terms 5 & 6.

All items of kit should be clearly named.

Polo Shirt



Blue Jersey



Red Hoodie



“What will happen if I forget my PE kit?”

Being properly equipped for all your lessons is important and it shows you are organised and taking responsibility for yourself.

You will be offered clean, spare PE kit to wear if you forget your own so that you can take part in the lesson, but you will get a 10-minute detention with the subject teacher and a ‘B1’ behaviour point. If you keep forgetting your kit there will be further longer detentions and, if the situation continues, your parent/carer will be contacted.

Students who remember their kit for a whole term will get Corsham Credits.

Frequently Asked Questions

“Do I have to wear school uniform on school trips?”

In most cases, yes, but you will be told by the teacher organising the trip what is appropriate.

“Do I have to wear school uniform in exams?”

Yes, you do.

“What should I do if I have a good reason for not having an item of uniform?”

Bring a note in from home and ask your tutor for a Temporary Uniform Pass. Show the Uniform Pass to your teachers at the beginning of each lesson so they know that you have permission to be out of uniform for that day.

What happens if I have lost an item of uniform?

All items of uniform must be named so that they can be returned if lost. Items of lost property are held in Student Reception so, please check with them if you think you have lost something on school site.

“What will happen if I come in to school with a nose stud?”

You will be asked to remove it immediately. The same applies to any other body piercing. You will not be allowed to just cover it with a plaster. You will not be allowed to go to lessons until the matter is resolved. The same applies to ear stretchers.

“What about nail varnish, and make up?”

If you come to school wearing nail varnish you will be asked to remove it immediately. Make-up in moderation is permitted but you need to be sensible about it and remember you are coming to school not going to a party. Fake tans, thick or overly dark foundation, heavy eyeliner, false eyelashes, bright lip colours, false nails etc are all completely out of place in a school setting and are not permitted. If make-up is excessive you may be asked to wash it off before you go to lessons. The school will decide what is and what is not acceptable.

“What about an extreme hairstyle”

Extreme hairstyles and unnatural colours are not permitted. If you come to school with an extreme hairstyle, you may be kept out of normal lessons until the matter is resolved.

“What will happen if I keep flouting the uniform rules?”

Each student carries a Uniform Compliance Card in their organiser. If there are concerns that your uniform does not follow the school's rules, then a teacher will sign the card to raise a concern. If there are four concerns raised, then you will be placed given a pastoral detention with either your tutor or Head of House. Your parents will be asked to sign the report daily. If you keep wearing things you are asked not to, like jewellery, cardigans or hoodies, they may be confiscated until the end of the school day.

MOBILE TECHNOLOGY

Mobile Phones, Personal Music Players, other personal computing devices

We recognise that mobile phones, including smart phones, are an important part of everyday life for our pupils, parents and staff, as well as the wider school community. Pupils are, therefore, permitted to bring phones to school as long as they keep to these key principles:

- Mobile phones and devices **must be switched off and in bags** from the moment the student comes on school site.
- Students may take them out of bags to switch them on only at 3:00pm, when the school day has finished.
- Phones should not be used as a time-piece.

Inappropriate use of mobile phones or other devices will be dealt with through the school's behaviour policy.

NB: The school accepts no responsibility for mobile phones or personal electronic equipment that are lost, damaged or stolen on school premises or transport, during school visits or trips, or while pupils are travelling to and from school.



Please visit: [Mobiles and Online Safety - The Corsham School](#) for more information regarding Online safety.

Your personal belongings are your responsibility and, where possible, should be **named**. Do not leave your belongings unattended.



SCHOLARS

*Supplying school uniforms,
sportswear and related products
since 1952*

Scholars supply a full range of uniform for The Corsham School.

As well as supplying all the essential items from jumpers to trousers, they also supply full PE kit along with other garments incorporating special fabrics, trims or colours.

All products are manufactured by specialists and designed to withstand the rigours of an active school life.

Scholars Schoolwear Limited
3 The Causeway
Chippenham
SN15 3BT
Tel: (01249) 656600

Opening Times:

Monday-Saturday	9.30am-5.00pm
Sunday	CLOSED

During the summer holidays opening times are extended to 9.00am-5.30pm

Shop online at: <http://scholars-uk.com/>



We've just joined the Uniformd Marketplace!

We are now taking donations from parents and selling pre-owned uniforms and sports kits online, with all funds raised going straight back into our school.

Get involved at uniformd.co.uk!

