

DRESS CODE AND EQUIPMENT

BEING 'READY TO LEARN'



DREAM

BELIEVE

ACHIEVE

THE CORSHAM

SCHOOL VISION

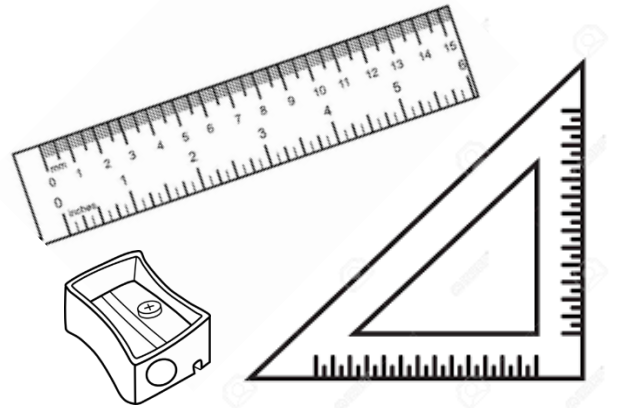
The Corsham School will:

- 1.** Promote the highest standards of teaching and learning and see them reflected in academic achievement
- 2.** Use the evaluation and sharing of good practice to impact on teaching and learning
- 3.** Commit to a balanced, enriched curriculum
- 4.** Invest in, use and apply the best technologies
- 5.** Provide a safe and calm environment in which all young people can learn, grow and develop values which strengthen a positive community
- 6.** Encourage our students to be considerate, courteous and to show pride in their school
- 7.** Stimulate the involvement and commitment of all parents and carers
- 8.** Commit to the support and Continuing Professional Development of every member of staff
- 9.** Provide high-quality facilities within a clean and well-managed environment.

EQUIPMENT LIST FOR LESSONS

Pencil case containing the following:

- Black or blue ball point pens.
- A green ball point pen. (Teachers ask students to use green pen to edit and improve work in class.)
- Pencil
- Rubber
- Pencil sharpener
- Ruler- preferably 30cm length
- Glue stick
- Casio fx-83GTX Scientific Calculator
- Highlighter pens
- Coloured pencils
- Pair of compasses
- Protractor



Please note, that Maths equipment sets, which include protractor and compasses, are available to buy from the Maths Department, when students join in September, at the cost of £1.

The scientific calculator listed above is also available to purchase from the Maths Department in September at a cost of £9.

As well as a pencil case, students are expected to have a reading book in their school bag and bring their organiser (which they are given on the first day of term) with them each day. Students are allowed to take a water bottle into lessons to drink from.



DRESS CODE AND EQUIPMENT

Dress Code

Girls' uniform is a blazer with school badge, matching trousers or Bedford check skirt, white shirt and school tie. Black opaque tights and conventional school shoes should be worn.

Boys' uniform is a blazer with the school badge, matching trousers, white shirt and school tie. Black socks and conventional school shoes should be worn.

There is an optional grey V necked jumper for both boys and girls.

Students in Years 7, 8 & 9 should opt for the clip-on version of the school tie. From September 2019, 'House' ties were introduced for students in Year 7 (please see further information under 'School Ties'. Older students may choose the traditional tie if preferred.

No other items of clothing apart from those listed above are permitted. Underwear should not be visible.

Students should be smart, clean and well presented at all times. You should wear your jackets to school every day but it is up to you whether the blazer or jumper is removed for lessons. Shirts may be long or short sleeved but should have a collar and should always been worn with a tie. Your shirt should be tucked into your trousers or skirt. Your jumper should not be tucked into either trousers or skirt. All items of clothing should be named.



Shoes

These should be of a conventional smart style, appropriate for uniform wear and offer adequate protection in all weathers. They should be entirely black, made of leather/faux leather and be able to be polished. **Trainers or canvas shoes are not permitted.**

Socks should be black or dark grey in colour/tights should be black opaque.

Skirts

These should be purchased from our approved supplier (Scholars of Chippenham). Please ensure that the size purchased allows the skirt to be worn at an appropriate length. As a guide the hem should be no more than one hands width above the knee. **The skirt should not be worn rolled over at the waist.**

Trousers

These should only be purchased from our approved supplier (Scholars of Chippenham) and should match the blazer.

Coats and outer clothing

Hoodies, either as a substitute for the jumper, or as a 'coat', are not allowed. You may wear a waterproof coat over your uniform if you wish but your coat should be clearly a proper coat, of conventional style and suitable for wearing to school.

School Bags

School bags should be a conventional 'back-pack' style with two straps - any type of fashion bag or hand bag is not allowed.

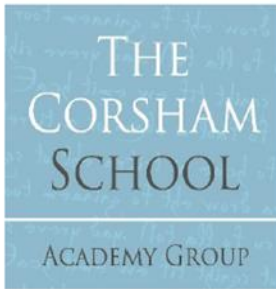
Jewellery, extreme hairstyles and make-up

The school does not permit extreme hairstyles (this includes unnatural colours, tramlines, crewcuts etc.) along with coloured nails and excessive makeup. **Nose studs and other facial piercings are not permitted**, but students are allowed one stud in each ear.

School Ties

From September 2019, students moved to wearing school ties that represent their House. All Year 7 students are allocated to a House (Burlington, Freestone, Stockwell & Hazelbury). Students will be told their House when they come for their Induction Day in June 2021 after which, the new House Ties will be available to purchase from Scholars Schoolwear Limited
3 The Causeway, Chippenham SN15 3BT Tel: (01249) 656600 <http://scholars-uk.com>

DRESS CODE AND EQUIPMENT

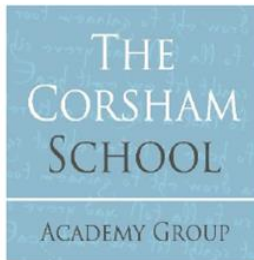


Acceptable Footwear Guidance

Please see below examples of shoe styles that are acceptable to wear to school. These should be of a conventional smart style, appropriate for uniform wear and offer adequate protection in all weathers. They should be entirely black, made of leather/faux leather and be able to be polished. Trainers or canvas shoes are not permitted



DRESS CODE AND EQUIPMENT

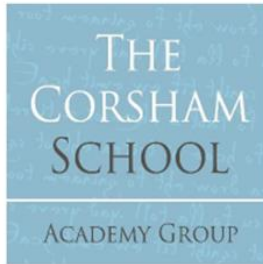


Unacceptable Footwear

Please see below examples of shoe styles that are unacceptable to wear to school.
These styles are often not plain black and are usually canvas or trainer style.
These styles are not suitable to wear as part of school uniform.



DRESS CODE AND EQUIPMENT



Outdoor Coats & School Bag Guidance

Coats – An outdoor coat may be worn over the top of the school uniform if needed, but this must be a conventional coat or waterproof suitable for school. Hoodies of any style are not permitted.

School Bags – A school bag should be suitable for school use, able to contain all necessary books/folders and any other school equipment. A backpack is ideal for this purpose. Fashion bags and smaller handbags of any kind are not permitted.



Frequently Asked Questions

“Do I have to wear school uniform on school trips?”

In most cases, yes but you will be told by the teacher organising the trip what is appropriate.

“Do I have to wear school uniform in exams?”

Yes, you do.

“What should I do if I have a good reason for not having an item of uniform?”

Bring a note in from home and ask your tutor for a Uniform Pass. Show the Uniform Pass to your teachers at the beginning of each lesson so they know that you have permission to be out of uniform for that day.

“What will happen if I come in to school with a nose stud?”

You will be asked to remove it immediately. The same applies to any other body piercing. You will not be allowed to just cover it with a plaster. You will not be allowed to go to lessons until the matter is resolved. The same applies to ear stretchers.

“What about nail varnish, and make up?”

If you come to school wearing nail varnish you will be asked to remove it immediately. Make up in moderation is permitted but you need to be sensible about this and remember you are coming to school not going to a party. Fake tans, thick or overly dark foundation, heavy eyeliner, false eyelashes, bright lip colours, false nails etc are all completely out of place in a school setting and are not permitted. If make-up is excessive you may be asked to wash it off before you go to lessons. The school will decide what is and what is not acceptable.

“What about an extreme hairstyle”

Extreme hairstyles and unnatural colours are not permitted. If you come to school with an extreme hairstyle, you may be kept out of normal lessons until the matter is resolved.

“What will happen if I keep flouting the uniform rules?”

You will be placed on Uniform Report to either your tutor or Head of Year. Your parents will be asked to sign the report daily. If you keep wearing things you are asked not to, like jewellery, cardigans or hoodies, they may be confiscated until the end of the day.

DRESS CODE AND EQUIPMENT

Mobile Phones, Personal Music Players, other personal computing devices

For your personal safety you are permitted to bring a mobile phone with you to school. This is a privilege, not a right.

Mobile phones & personal music players must be switched off and out of sight during all lessons, tutor times and assemblies.

You must not use the video camera on your phone to film around school without permission

You must not use your phone to send unpleasant messages or pictures as this would be against our Anti-Bullying Charter.

Your personal belongings are your responsibility and where possible should be named. Do not leave your belongings unattended.



DRESS CODE AND EQUIPMENT

PHYSICAL EDUCATION LEARNING KIT

PE KIT: GIRLS

Outdoor and Indoor

- Red PE Polo shirt
- Navy blue PE shorts or navy blue skort
- Red hoodie (available from Scholars)
- Red socks (optional White socks during Summer period)
- Training shoes
- Shin pads (compulsory for football)
- Gumshield (strongly recommended for hockey)
- One piece swimming costume (any colour) and towel

PE KIT: BOYS

Outdoor

- Long sleeved, navy blue jersey
- Navy blue PE shorts
- Red socks (optional White socks during Summer period)
- Training shoes
- Football boots
- Shin pads (compulsory for football)
- Gumshield (compulsory for rugby)

Indoor

- Red PE polo shirt
- Swimming trunks (above knee length) and towel
- Socks and shorts as above

COLD WEATHER KIT (OPTIONAL FOR GIRLS AND BOYS)

- Red, black or navy blue Thermals (to be worn under PE kit)
- Navy blue or black tracksuit bottoms
- Red hoodie (optional for boys, available from Scholars)

All items of kit should be clearly named.

“What will happen if I forget my PE kit?”

Being properly equipped for all your lessons is important and it shows you are organised and taking responsibility for yourself. You will be offered clean, spare PE kit to wear if you forget your own so that you can take part in the lesson, but you will get a 10 minute detention with the subject teacher. If you keep forgetting your kit there will be further longer detentions and if the matter is still not put right after that the team leader may wish to speak to your parents. On the other hand, students who remember their kit for a whole term will get extra Corsham Credits.

PHYSICAL EDUCATION LEARNING KIT

THE
CORSHAM
SCHOOL
PE
DEPARTMENT



PHYSICAL EDUCATION LEARNING KIT

THE
CORSHAM
SCHOOL

PE
DEPARTMENT





SCHOLARS

*Supplying school uniforms,
sportswear and related products
since 1952*

As well as supplying all the essential items from jumpers to trousers, they also supply our bespoke blazers and full PE kit along with other garments incorporating special fabrics, trims or colours.

All products are manufactured by specialists and designed to withstand the rigours of an active school life.

Scholars Schoolwear Limited
3 The Causeway
Chippenham
SN15 3BT

Tel: (01249) 656600

Opening Times:

| | |
|-----------------|---------------|
| Monday-Saturday | 9.30am-5.00pm |
| Sunday | CLOSED |

During the summer holidays opening times are extended to 9.00am-5.30pm

Shop online at: <http://scholars-uk.com/>



THE CORSHAM SCHOOL

THE TYNINGS, CORSHAM, WILTSHIRE, SN13 9DF

+44 (0)1249 713284

RECEPTION@CORSHAM.WILTS.SCH.UK